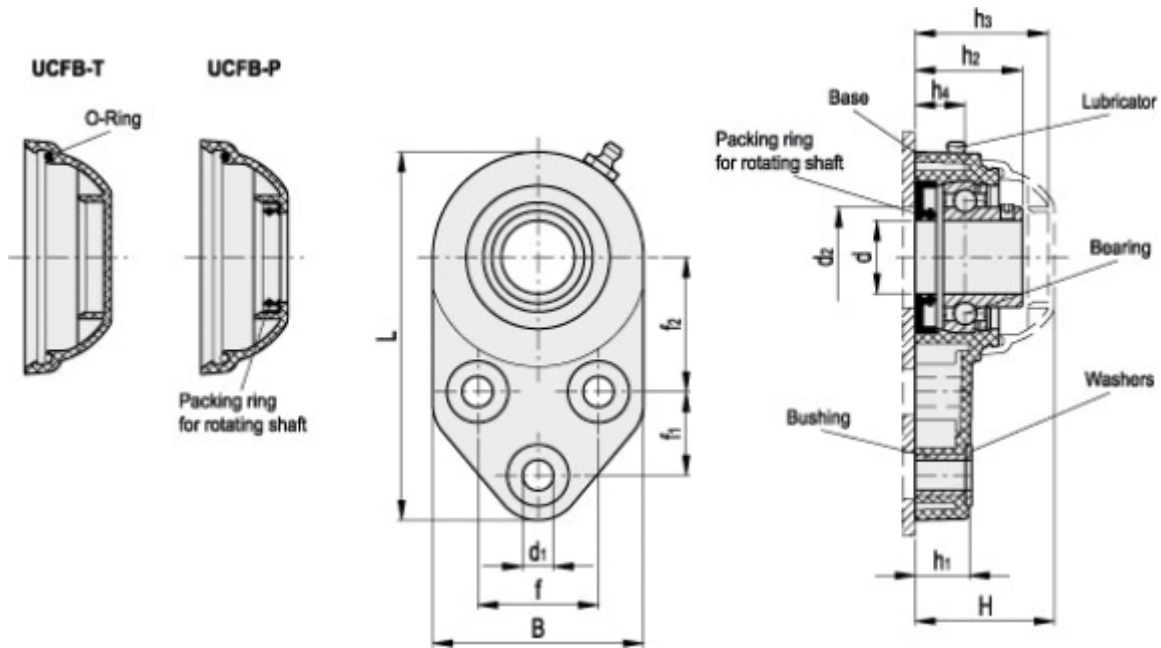


Article number: 2310419534

Description: E+G flanged self-aligning brackets UCFB.205-D-25-P

Measures



B	= 72	f = 41.3	L = 126
Bearing dynamic load in N	= 14000	f1 = 28.6	
Bearing static load i N	= 7000	f2 = 46	
Bracket load in N	= 9000	H = 50	
d	= 25	h1 = 19	
d1	= 10.5	h2 =	
d2max	= 50	h3 =	
d2min	= 45	h4 = 17	